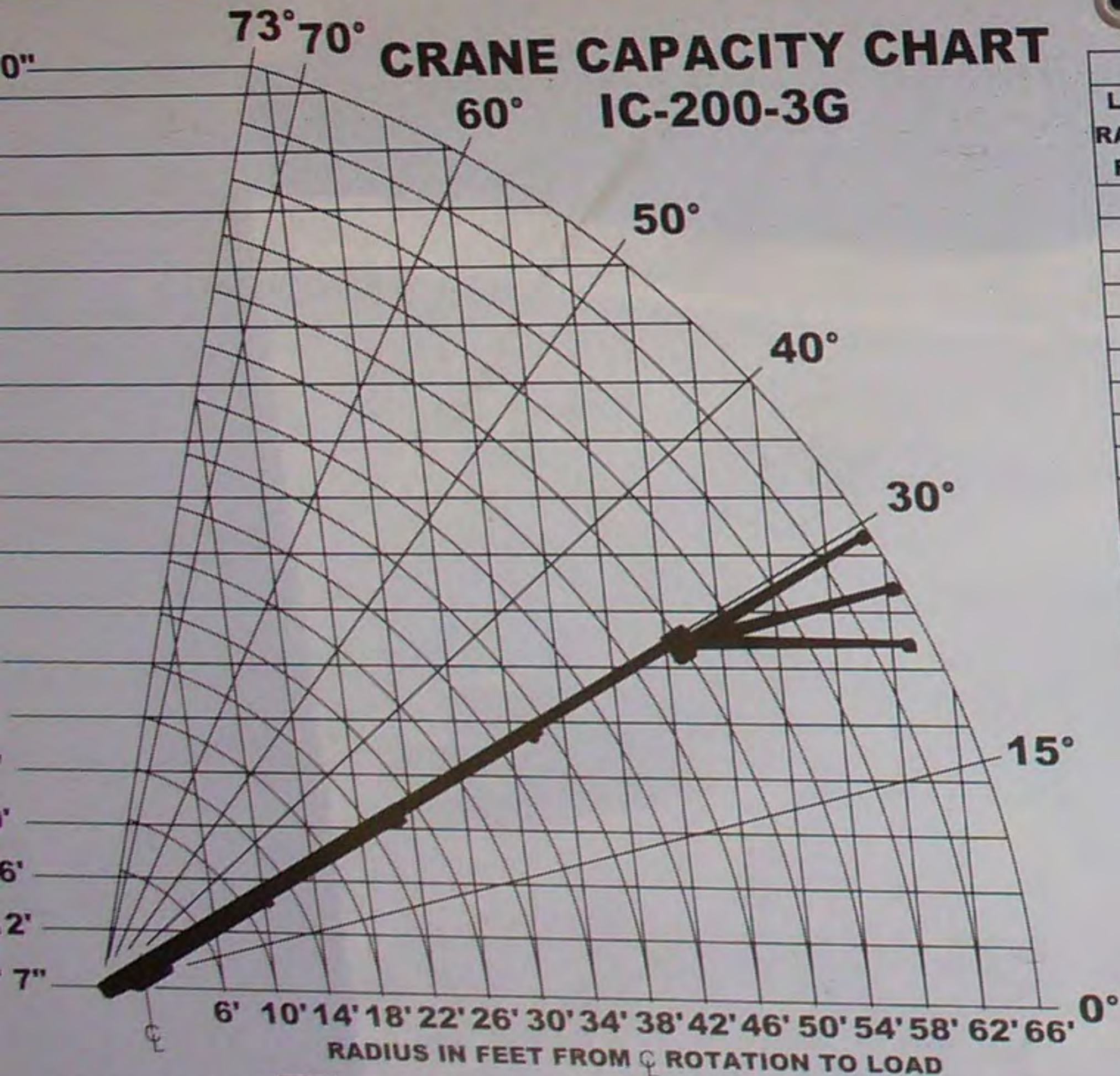


CRANE CAPACITY CHART IC-200-3G



LOAD RADIUS FEET	CAPACITIES IN POUNDS FOR OPERATION ON FIRM LEVEL SURFACE							
	MAIN BOOM ONLY				BOOM EXTENSION			
	ON RUBBER		ON OUTRIGGERS		ON RUBBER		ON OUTRIGGERS	
	360'	FRONT	360'	FRONT	360'	FRONT	360'	FRONT
6	16000	16400	30000	30000	---	---	---	---
8	12500	13000	22400	22400	---	---	---	---
10	10000	10500	18500	18500	7500	7500	7500	7500
12	8040	8700	15700	15700	7500	7500	7500	7500
14	6500	7200	13500	13500	7500	7500	7500	7500
16	5330	6200	10800	10800	6140	7500	7500	7500
18	4450	5400	9560	9560	5010	6440	7500	7500
20	3720	4700	8550	8550	4200	5430	7500	7500
22	3140	4200	7700	7700	3580	4650	6850	6850
24	2680	3700	6980	6980	3080	4030	6250	6250
26	2300	3200	6300	6350	2660	3530	5750	5750
28	1980	2800	5550	5800	2290	3100	5300	5300
30	1700	2460	4830	5320	1990	2710	4920	4920
32	1470	2150	4200	4900	1730	2400	4580	4580
34	1260	1850	3700	4520	1510	2130	4270	4270
38	920	1300	2970	3870	1140	1680	3530	3760
42	640	950	2400	3340	840	1320	2960	3340
46	390	650	1840	2890	600	1040	2440	2980
50	0	550	1750	2520	410	800	2040	2630
54	---	---	---	---	0	600	1710	2290
58	---	---	---	---	0	430	1370	2000
62	---	---	---	---	0	290	1140	1740
66	---	---	---	---	0	0	930	1500

BOOM EXT. ANGLE	BOOM EXTENSION - STRAIGHT OR OFFSET						
	MAIN BOOM ANGLE						
	0°	15°	30°	40°	50°	60°	70°
0°	3000	3100	3450	3900	4650	6000	7500
15°	---	3000	3000	3000	3000	3700	5000
30°	---	---	2500	2500	2600	3100	3800

CAUTION BOOM EXTENSION LOADS MUST NOT EXCEED MAIN BOOM CAPACITY.

CAPACITIES ON OUTRIGGERS ARE 85% OF TIPPING LOADS. CAPACITIES ON RUBBER ARE 75% OF TIPPING LOADS. CAPACITIES BELOW BOLD LINE ARE LIMITED BY TIPPING. OTHER CAPACITIES ARE LIMITED BY STRUCTURAL OR HYDRAULIC CAPABILITY.

DECK LOAD CAPACITY 17000 LBS, WITH EMPTY BOOM RETRACTED OVER FRONT, DECK LOAD CENTERED TO REAR OF FRONT AXLE, LESS THAN 2 MPH, 200 FT. MAX IN 30 MINUTES ON SMOOTH PAVEMENT.

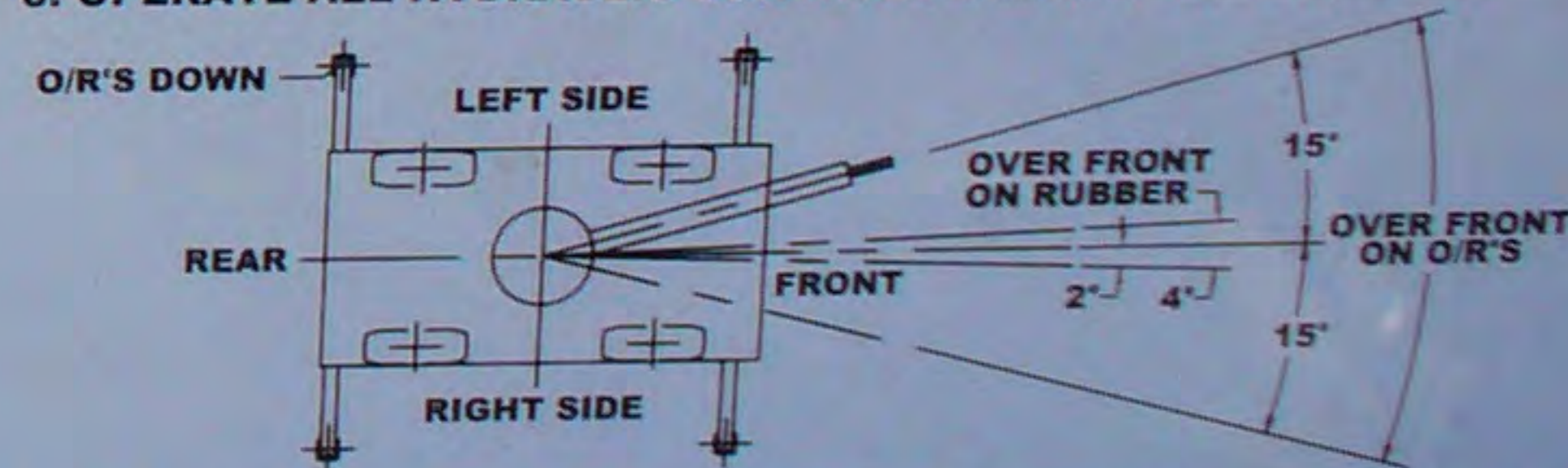
THE BOOMS ON THIS UNIT ARE ALL STEEL AND HAVE NO LINE VOLTAGE RATING.

MAXIMUM HYDRAULIC PRESSURE 3000 PSI.

BOOM EXTENSION DEDUCT: 400 LBS. WHEN STOWED ON BASE BOOM.

OPERATION:

1. READ AND UNDERSTAND OPERATION MANUAL BEFORE OPERATING CRANE.
2. CHECK LEVEL OF HYDRAULIC OIL DAILY.
3. CHECK UNIT FOR VISIBLE DEFECTS AND LOOSE PARTS.
4. SET VEHICLE PARK BRAKE SECURELY.
5. EXTEND OUTRIGGERS TO SOLID FOOTING AND LEVEL CRANE.
6. OPERATE ALL HYDRAULIC CONTROLS SLOWLY AND SMOOTHLY.



THE LOAD HOIST LINE ON THIS UNIT MUST BE 1/2" DIA. 6 X 25-EIP-IWRC WIRE ROPE (OR EQUIVALENT) WITH A MINIMUM BREAKING STRENGTH OF 26,250 LBS.

APPROVED TIRES: 385/65D22.5, 16 PLY - 120 PSI
TORQUE WHEEL NUTS TO 500 FT. LBS. (THESE CONDITIONS MUST BE MAINTAINED TO HANDLE RATED LOADS ON THIS CRANE)

MODEL NO. SERIAL NO. DATE OF MFR.

IC-200-3G	199158	05-09
-----------	--------	-------

BRODERSON MANUFACTURING CORP.
LENEXA, KANSAS

D-654-00485