

Product Parts Information



FORCE **5i**™ **Winch Series**

Model FA2i



Save These Instructions

Only allow **Ingersoll Rand** trained Service Technicians to perform maintenance on this Product. For additional information contact **Ingersoll Rand** factory or nearest Distributor.

For additional supporting documentation refer to **Table 1** on page 2 for **Product Safety and Information Manuals**.

Manuals can be downloaded from www.winchandhoistsolutions.com

The use of other than genuine **Ingersoll Rand** replacement parts may result safety hazards, decreased performance and increased maintenance and may invalidate all warranties. The original language of this manual is English.

Refer all communications to the nearest **Ingersoll Rand** Office or Distributor.

Table 1: Product Manuals

Publication	Part/Document Number	Publication	Part/Document Number
Product Safety Information (Non-Man Rider)	MHD56250	Product Information (Non-Man Rider)	MHD56301
Product Safety Information (Man Rider)	MHD56251	Product Information (Man Rider)	MHD56304
Product Maintenance Information (Man Rider and Non-Man Rider)	MHD56303		

TABLE OF CONTENTS

Description	Page No.	Dwg. Name	Page No.
Parts Ordering Information.....	3		
Drum, Base and Reduction Gear Assembly Drawing.....	4	(Dwg. MHP2773).....	4
Drum, Base and Reduction Gear Assembly Parts List.....	5		
Motor Assembly Drawing.....	8	(Dwg. MHP0210).....	8
Motor Assembly Parts List.....	9		
Drum Band Brake Assembly Drawing.....	10	(Dwg. MHP0209).....	10
Drum Band Brake Assembly Parts List.....	11		
Disc Brake Assembly Drawing and Parts List.....	12	(Dwg. MHP2786).....	12
Control Valve Assembly Drawing and Parts List.....	13	(Dwg. MHP0203).....	13
Drum Locking Pin (Optional) Assembly Drawing and Parts List.....	14	(Dwg. MHP2675).....	14
Press Roller Assembly (Optional) Drawing and Parts List.....	15	(Dwg. MHP2695).....	15
Limit Switch (Optional) Assembly Drawing.....	16	(Dwg. MHP2677).....	16
Limit Switch (Optional) Parts List.....	17		
Winch Guard Assembly Drawing.....	18	(Dwg. MHP2676).....	18
Winch Guard Parts List.....	19		
Air Preparation Assembly Drawing and Parts List.....	20	(Dwg. MHP2679).....	20
Labels and Tags Assembly Parts List.....	21		
Constant Tension (Optional) Assembly Drawing.....	22	(Dwg. MHP2028).....	22
Constant Tension (Optional) Assembly Parts List.....	23		

PARTS ORDERING INFORMATION

These winches are designed and constructed to provide long, trouble-free service. In time it may be necessary to order and install new parts to replace those that have been subjected to wear.



For your convenience and future reference it is recommended that the following information be recorded.

Model Number _____

Serial Number _____

Date Purchased _____

When ordering replacement parts, please specify the following:

1. Complete model number and serial number as it appears on the data (name) plate.
2. Part number(s) and part description as shown in this manual.
3. Quantity required.

The data (name) plate is located on the winch outboard upright.

NOTICE

- Continuing improvement and advancement of design may cause changes to this equipment which are not included in this manual. Manuals are periodically revised to incorporate changes. Always check the manual edition number on the front cover for the latest issue.
- Sections of this manual may not apply to your winch.
- Using other than genuine Ingersoll Rand replacement parts may invalidate the warranty.

Return Goods Policy

Ingersoll Rand will not accept any returned goods for warranty or service work unless prior arrangements have been made and written authorization has been provided from the location where the goods were purchased.

Winches which have been modified without Ingersoll Rand approval, mishandled or overloaded will not be repaired or replaced under warranty. A printed copy of the warranty which applies to this winch is provided inside the back cover of this manual.

Disposal



When the life of the Product has expired, it is recommended that it be disassembled, degreased and parts separated as to materials so that they may be recycled.

For additional information contact:

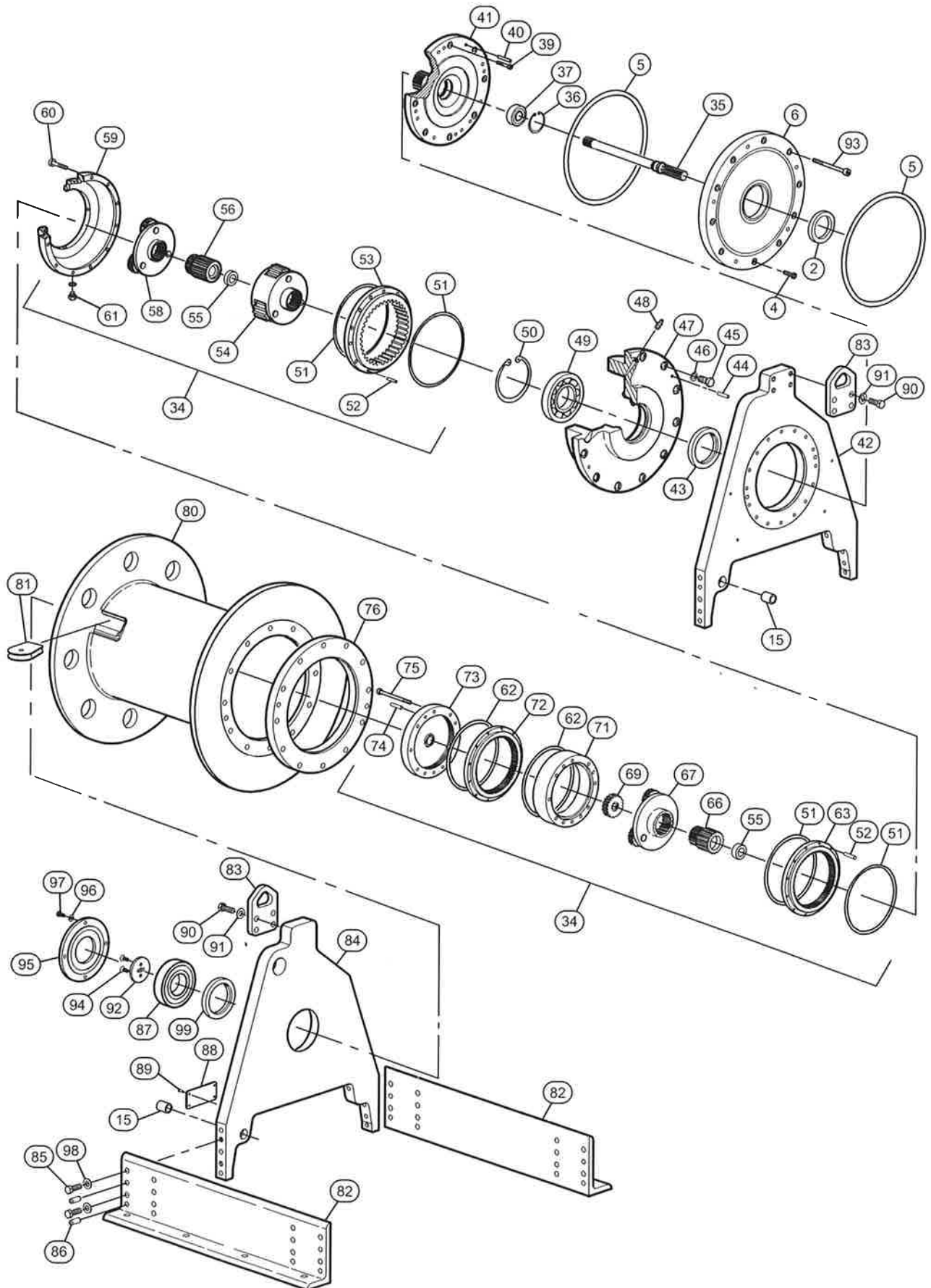
Ingersoll Rand
2724 Sixth Avenue South
Seattle, WA 98134 USA
Phone: (206) 624-0466 or
(866) 273-3278
Fax: (206) 624-6265

or

Ingersoll Rand
Douai Operations
529, Avenue Roger Salengro
59450 Sin Le Noble, France
Phone: (33) 3-27-93-08-08
Fax: (33) 3-27-93-08-00



DRUM, BASE AND REDUCTION GEAR ASSEMBLY DRAWING



(Dwg. MHP2773)

DRUM, BASE AND REDUCTION GEAR ASSEMBLY PARTS LIST

Item No.	Description of Part	Total Qty	Part Number	Item No.	Description of Part	Total Qty	Part Number
• 2	Oil Seal	1	52223	63	Ring Gear	1	
4	Capscrew	5	51931	66	Sun Gear	1	Order item 34
5	'O' Ring	2	51484	67	Planet Assembly	1	
6	Motor Adapter	1	10361	69	Sun Gear †	1	382-29975
15	Bushing	2	71443816	71	Spacer	1	
34	Reduction Gear Assembly *	1	71394720	72	Ring Gear	1	Order item 34
35	Drive Shaft	1	382-30648	73	Cover	1	
36	Retainer Ring	1	52227	74	Pin	4	71068646
• 37	Bearing	1	71458426	75	Capscrew	8	71107445
39	Capscrew	5	54610	76	Spacer **	1	382-20327
40	Pin	2	52683	80	Drum †	1	Note 1
41	Drum Shaft †	1	382-30650	81	Wire Rope Anchor, 3/8 to 5/8 inch (10 to 16 mm)	1	382-31631
42	Upright, Inboard †	1	382-30515-1		Wire Rope Anchor 1/2 in. (13 mm)		52001
• 43	Seal	1	51475		Wire Rope Anchor 5/8 in. (16 mm)		52306
44	Pin	2	50984	82	Siderail	2	Note 1
	Pin **	2	71460554	83	Lifting Lug	2	382-30773
45	Capscrew	12	50973	84	Upright, Outboard (w/o drum lock) †	1	382-30516-3
	Capscrew **	12	71413132		Upright, Outboard (with drum lock) †	1	382-30516-1
46	Washer	12	50181	85	Capscrew	8	50973
47	Gear Carrier †	1	15451	86	Dowel Pin	8	71266670
48	Pipe Plug	2	51467	• 87	Bearing	1	71435937
49	Bearing	1	51473	88	Data (Name) Plate	1	Note 2
50	Retainer Ring	1	51479	89	Rivet	4	50915
• 51	'O' Ring	4	52149	90	Capscrew	8	71316491
52	Dowel Pin	4	71068472	91	Washer	8	52915
53	Ring Gear	1	Order item 34	92	Shaft Retainer	1	382-30646
54	Planet Assembly	1		93	Capscrew (disc brake)	5	51488
55	Thrust Bearing	2	71068647	94	Capscrew	2	50964
56	Sun Gear	1	Order item 34	95	End Cover	1	382-30832
58	Planet Assembly	1		96	Washer	4	50200
59	Input Housing	1	71106736	97	Capscrew	4	50829
60	Plug, Drain / Fill	1		98	Washer	8	50203
61	Plug, Drain / Fill	1		99	Seal	1	51474
62	'O' Ring	2	52273				

• Recommended spare for one winch, 2 years of normal operation.

Note 1: Refer to Table 'Drum and Siderail Parts List' on page 5 and on page 6.

Note 2: Contact factory, model and serial number are required.

* Reduction gear assembly (34) includes items 51 - 56, 58 - 60, 62, 63, 66 - 67, 69, 71 - 73 and 75.

** Pin (44), Capscrew (45) and Spacer (76) are only required with 8 inch drum.

Drum and Siderail Parts List

Drum (Item 80) with Band Brake	Part Number	Drum (Item 80) w/out Band Brake **	Part Number	Drum (Item 80) with Band Brake and Drum Lock **	Part Number	Drum (Item 80) w/out Band Brake with Drum Lock **	Part Number
Drum (8 inches long) † *	382-30698-1	Drum (12 inches long) †	382-30720-2	Drum (8 inches long) † *	382-30698-1L	Drum (12 inches long) †	382-30720-2L
Drum (12 inches long) †	382-30698-2	Drum (16 inches long) †	382-30720-3	Drum (12 inches long) †	382-30698-2L	Drum (16 inches long) †	382-30720-3L
Drum (16 inches long) †	382-30698-3	Drum (20 inches long) †	382-30720-4	Drum (16 inches long) †	382-30698-3L	Drum (20 inches long) †	382-30720-4L
Drum (20 inches long) †	382-30698-4	Drum (24 inches long) †	382-30720-5	Drum (20 inches long) †	382-30698-4L	Drum (24 inches long) †	382-30720-5L
Drum (24 inches long) †	382-30698-5			Drum (24 inches long) †	382-30698-5L		
Siderail (Item 82) with Band Brake	Part Number	Siderail (Item 82) w/out Band Brake **	Part Number				
with 8 inch Drum †	382-31436	with 12 inch Drum †	382-31435-2				
with 12 inch Drum †	382-30624-2	with 16 inch Drum †	382-31435-3				
with 16 inch Drum †	382-30624-3	with 20 inch Drum †	382-31435-4				
with 20 inch Drum †	382-30624-4	with 24 inch Drum †	382-31435-5				
with 24 inch Drum †	382-30624-5						

* 8 inch drum only available with band brake.

**Man Rider winches are only available with a band brake drum and do not come with drum lock option.

† These parts also come in a cold weather version. For winches with a -C in the model code, adding CH (DNV) or CHA (ABS) to the end of these part numbers is required to retain winch cold weather certification. Example: Order Drum item (80) (12 inches long) part number 382-30698-2 as part number 382-30698-2CH.

Certification Type	Example Part Number To Order	
ABS	---	382-30698-2CHA
DNV	382-30698-2CH	---

DRUM, BASE AND REDUCTION GEAR ASSEMBLY PARTS LIST (CONTINUED)

Grooved Drum Parts List

Drum (Item 80) with Band Brake	Part Number		Drum (Item 80) w/out Band Brake **	Part Number	
	5/8" Grooving	1/2" Grooving		5/8" Grooving	1/2" Grooving
Drum (8 inches long) † *	382-30730-1	382-30742-1	Drum (8 inches long) *	---	---
Drum (12 inches long) †	382-30730-2	382-30742-2	Drum (12 inches long) †	382-30745-2	382-30749-2
Drum (16 inches long) †	382-30730-3	382-30742-3	Drum (16 inches long) †	382-30745-3	382-30749-3
Drum (20 inches long) †	382-30730-4	382-30742-4	Drum (20 inches long) †	382-30745-4	382-30749-4
Drum (24 inches long) †	382-30730-5	382-30742-5	Drum (24 inches long) †	382-30745-5	382-30749-5

* 8 inch drum only available with band brake.

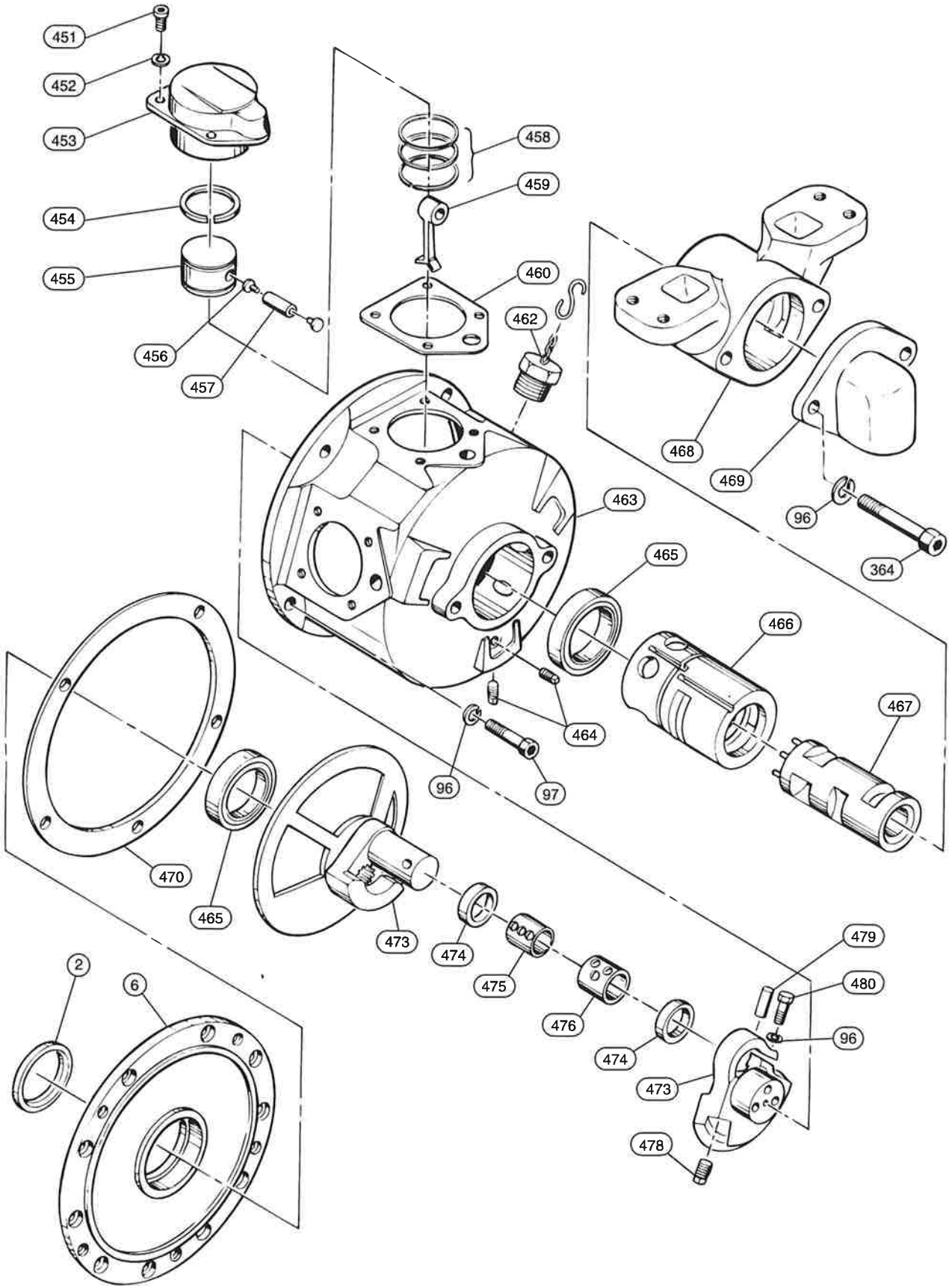
**Man Rider winches are only available with a band brake drum.

† These parts also come in a cold weather version. For winches with a —C in the model code, adding CH (DNV) or CHA (ABS) to the end of these part numbers is required to retain winch cold weather certification. Example: Order Drum item (80) (12 inches long) part number 382-30698-2 as part number 382-30698-2CH.

SERVICE NOTES



MOTOR ASSEMBLY DRAWING



(Dwg. MHP0210)

MOTOR ASSEMBLY PARTS LIST

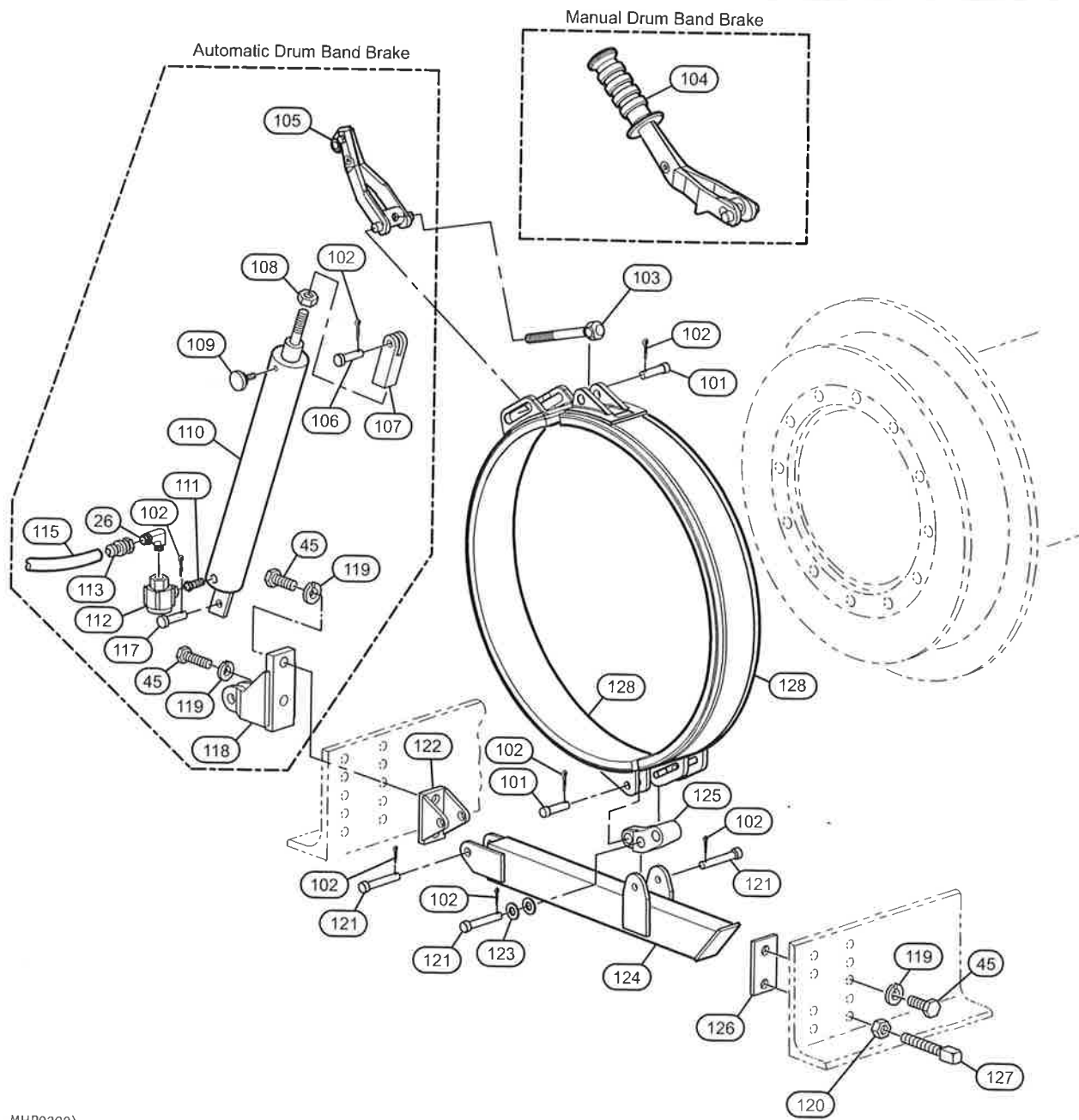
Item No.	Description of Part	Total Qty	Part Number	Item No.	Description of Part	Total Qty	Part Number
200	Motor Assembly	1	50259-1	459	Connecting Rod	5	94-009
	with Control Valve *		50259-8	460	Gasket	1 set	94-025-5
	Pendant Control*			462	Vent Cap Assembly	1	26604
2	Oil Seal	1	52223	463	Motor Housing	1	Order item 200
6	Motor Adapter	1	10361	464	Pipe Plug	2	50822
96	Lockwasher	8	50200	465	Bearing	2	50944
97	Capscrew	5	50829	466	Rotary Bushing	1	10986
364	Capscrew	2	51488	467	Rotary Valve	1	94-019
451	Capscrew	20	71306443	468	Adapter Valve	1	10987
452	Copper Washer	1 set	94-027-20	469	Exhaust Cap	1	21-1
453	Cylinder	5	94-024	470	Gasket	1	94-029
454	Compression Ring Kit (Note 1)	1 set	71032932	473	Crank Shaft Assembly	1	94-001
455	Piston Assembly (Includes items 454, 457, 458)	5	94-010A	474	Connecting Rod Ring	2	94-008
				475	Sleeve	1	94-007
456	Plug	10	Order item 457	476	Bushing	1	94-006
457	Wrist Pin Assembly (Includes item 456)	5	94-011-1A	478	Setscrew	1	94-005
458	Oil Ring	1 set	71032932	479	Pin	1	94-004
•	Service Kit (Includes items 2, 452, 454, 458, 460, 466, 467 and 470)	1	71391304	480	Capscrew	1	51712

• Recommended spare for one winch, 2 years of normal operation.

* Motor assembly includes items listed above.

Note 1: Compression Ring Kit (454) includes items 452, 458, 460 and 470.

DRUM BAND BRAKE ASSEMBLY DRAWING



(Dwg. MHP0209)

DRUM BAND BRAKE ASSEMBLY PARTS LIST

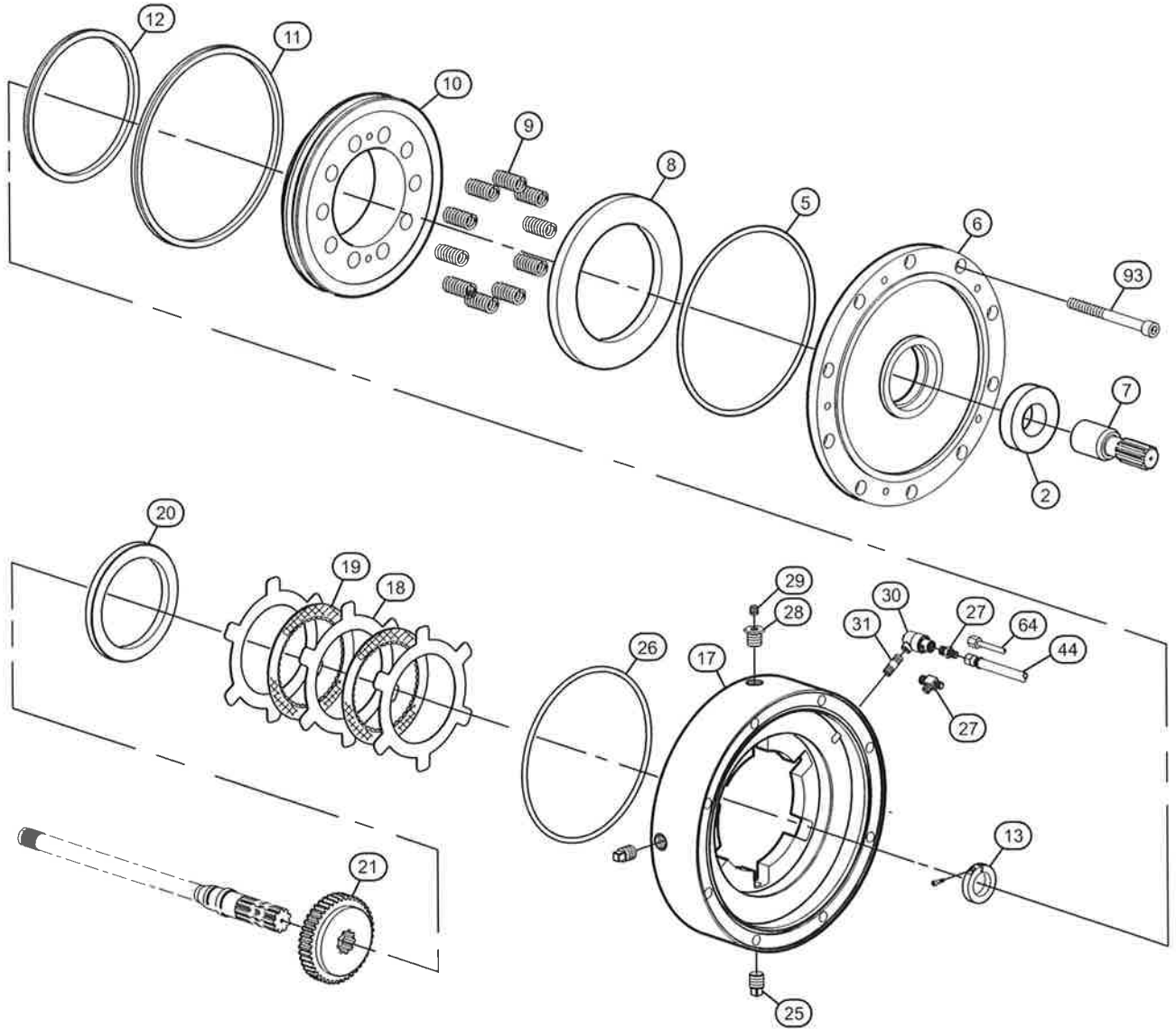
Item No.	Description of Part	Total Qty	Part Number	
			Manual Brake	Automatic Brake
26	Fitting, Elbow	1	---	52181
45	Capscrew	3	50973	
101	Pin †	2	4303-S	
102	Cotter Pin	See ()	51996 (5)	51937 (7)
103	Link Stud †	1	2448	
104	Brake Lever - Manual Brake †	1	2329	---
105	Brake Lever - Automatic Brake	1	---	11498
106	Pin	1	---	8609
107	Clevis	1	---	6237-2
108	Nut	1	---	50159
109	Breather	1	---	52384
110	Cylinder	1	---	4575-1
111	Fitting, Bushing	1	---	52006
• 112	Dump Valve	1	---	51954
113	Hose End	2	---	52385
115	Hose (bulk)	As Req'd	---	50923
117	Pin	1	---	382-30729
118	Bracket	1	---	382-30728
119	Washer	3	51008	
120	Nut	See ()	54661 (1)	54661 (2)
121	Pin †	3	3704-S	
122	Pivot Bracket †	1	382-30630	
123	Washer	2	50890	
124	Brake Arm	1	11147	
125	Connecting Link †	1	11144	
126	Stop Plate	1	382-30629	
127	Screw, Adjusting	1	71033104	
• 128	Brake Band Set †	1 Set	382-32262	

• Recommended spare for one winch, 2 years of normal operation.

† These parts also come in a cold weather version. For winches with a —C in the model code, adding CH (DNV) or CHA (ABS) to the end of these parts is required to retain winch cold weather certification. Example: Order Pivot Bracket item (122) part number 382-30630 should be ordered as part number 382-30630CH.

Certification Type	Example Part Number To Order	
ABS	---	382-30630CHA
DNV	382-30630CH	---

DISC BRAKE ASSEMBLY DRAWING AND PARTS LIST



(Dwg. MHP2786)

Item No.	Description of Part	Total Qty	Part Number	Item No.	Description of Part	Total Qty	Part Number
2	Oil Seal	1	52223	21	Gear †	1	382-31707
5	'O' Ring	1	51484	22	Label Plate, LP *	1	71465942
6	Motor Adapter	1	10361	25	Plug, Level / Drain	2	tlse-368-3/8
7	Brake Shaft †	1	11104	26	'O' Ring	1	51458
8	Brake Reaction Plate	1	10597	27	Fitting, Vented	1	20770
9	Spring	10	50751	27	Fitting, Tee (band brake)		52181
10	Brake Piston	1	382-31250	28	Fitting, Reducer	1	52182
• 11	Seal	1	51483	29	Breather	1	51857
• 12	Seal	1	51482	30	Dump Valve	1	50276
13	Collar	1	71039333	31	Fitting, Nipple	1	51034
17	Brake Housing †	1	382-31251	44	Hose Assembly	1	50923
18	Drive Plate	3	382-31246	64	Tubing Assembly		Contact Factory
19	Friction Plate	2	71126874	• 65	Service Kit ***	1	382-32263
20	Brake Reaction Disc	1	382-31249	93	Capscrew	8	51488

• Recommended spare for one winch, 2 years of normal operation.

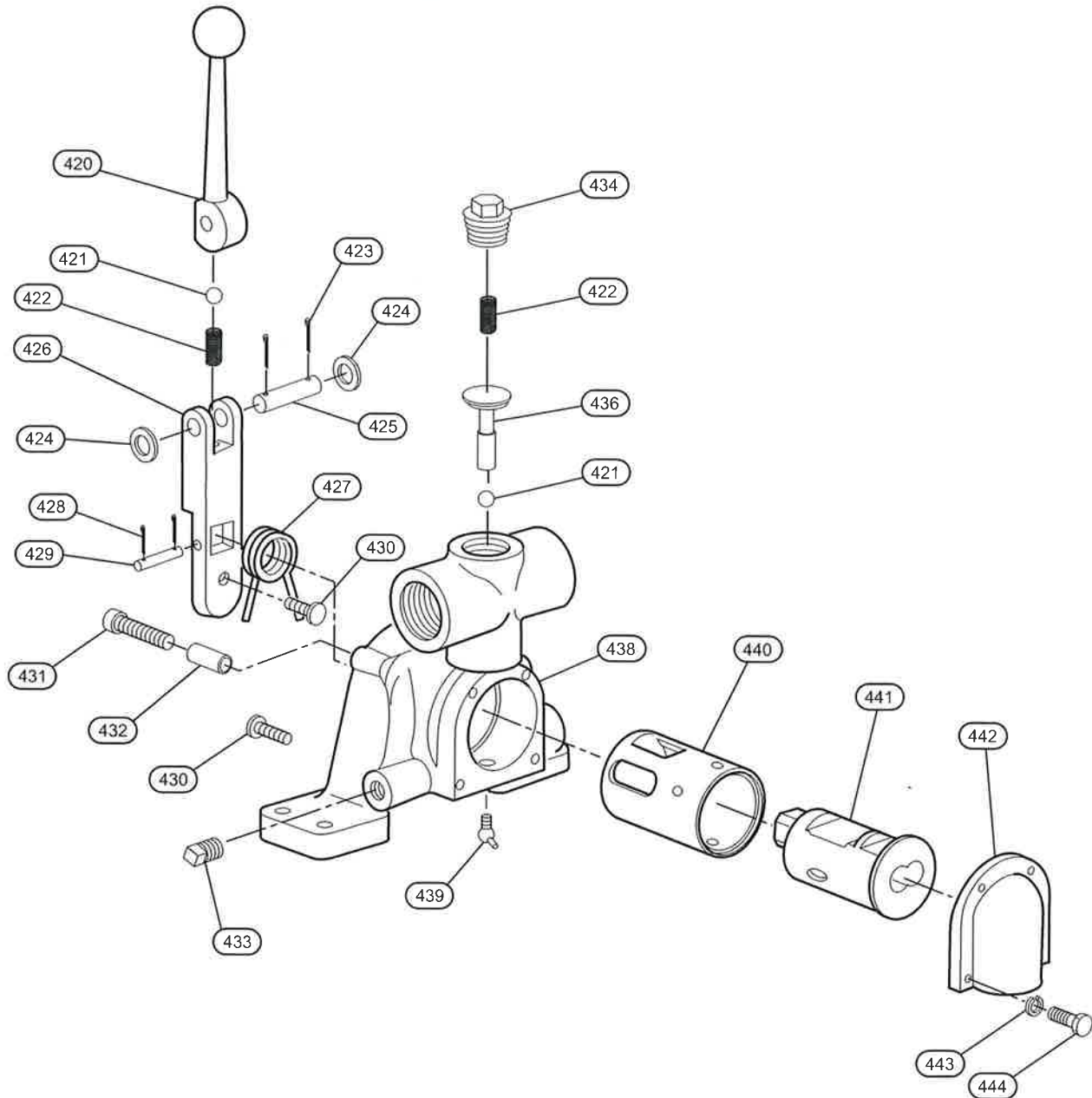
* Item not illustrated.

** Service Kit (65) includes items (2, 5, 9, 11, 12, 18, 19, 26, 27, 28, 29, 30, 31, and 93).

† These parts also come in a cold weather version. Refer to model code, adding CH (DNV) or CHA (ABS) to the end of these part numbers is required to retain winch cold weather certification. Example: Order brake shaft item (7) part number 11104 as part number 11104CH.

Certification Type	Example Part Number To Order	
ABS	---	11104CHA
DNV	11104CH	---

CONTROL VALVE ASSEMBLY DRAWING AND PARTS LIST

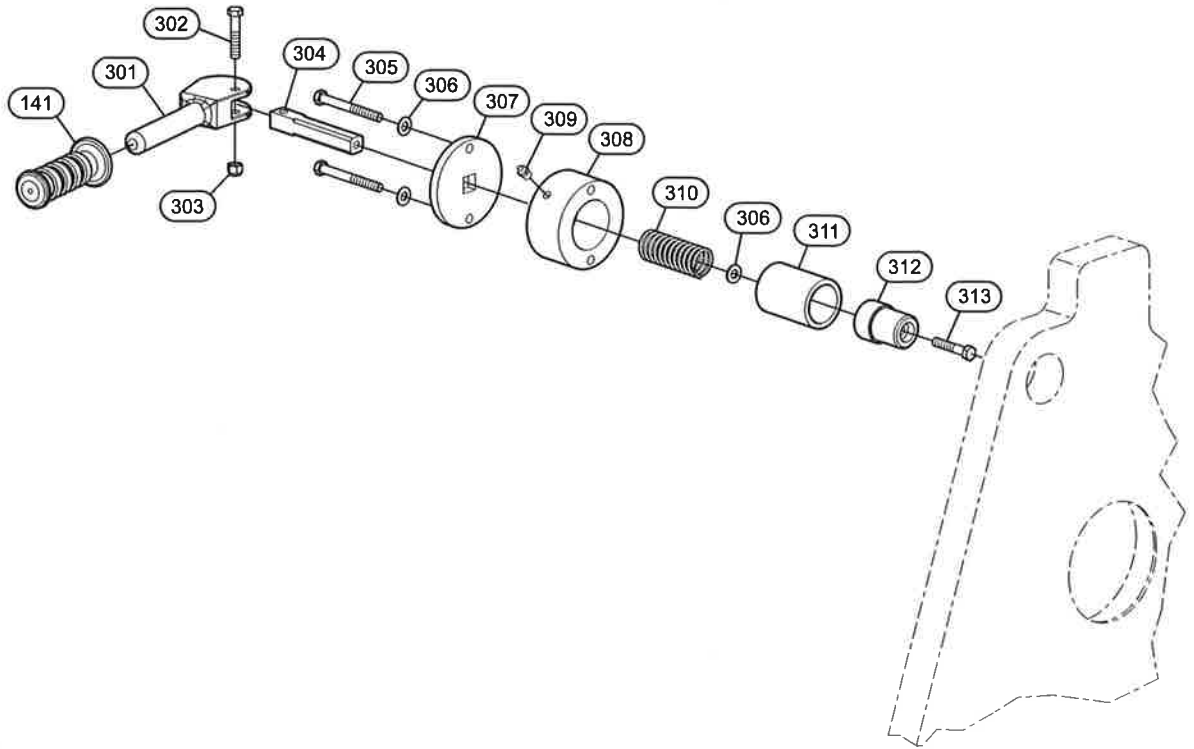


(Dwg. MHP0203)

Item No.	Description of Part	Total Qty	Part Number	Item No.	Description of Part	Total Qty	Part Number
260	Valve Assembly (Incl's items 420 - 444)	1	382-31757	432	Sleeve	2	71077473
420	Handle	1	11882	433	Pipe Plug	1	51599
• 421	Ball	2	71077119	434	Pipe Plug	1	11886
• 422	Spring	2	11862	436	Poppet Valve	1	11879
423	Pin	2	71077101	438	Housing	1	*
424	Washer	2	52914	439	Grease Fitting	1	50192
425	Pin	1	11860	• 440	Valve Bushing	1	11883
426	Handle Bracket	1	11878	441	Valve	1	11865
• 427	Spring	1	11880	442	Exhaust Cover	1	11881
428	Pin	2	52161	443	Lockwasher	4	51801
429	Pin	1	11861	444	Capscrew	4	51770
430	Capscrew	2	11884	**	Label, Control	1	96180102
431	Capscrew	2	51025				

- Recommended spare for one winch, 2 years of normal operation.
- * Item 438 not sold separately, order item Valve Assembly (260).
- ** Item not illustrated.

DRUM LOCKING PIN (OPTIONAL) ASSEMBLY DRAWING AND PARTS LIST

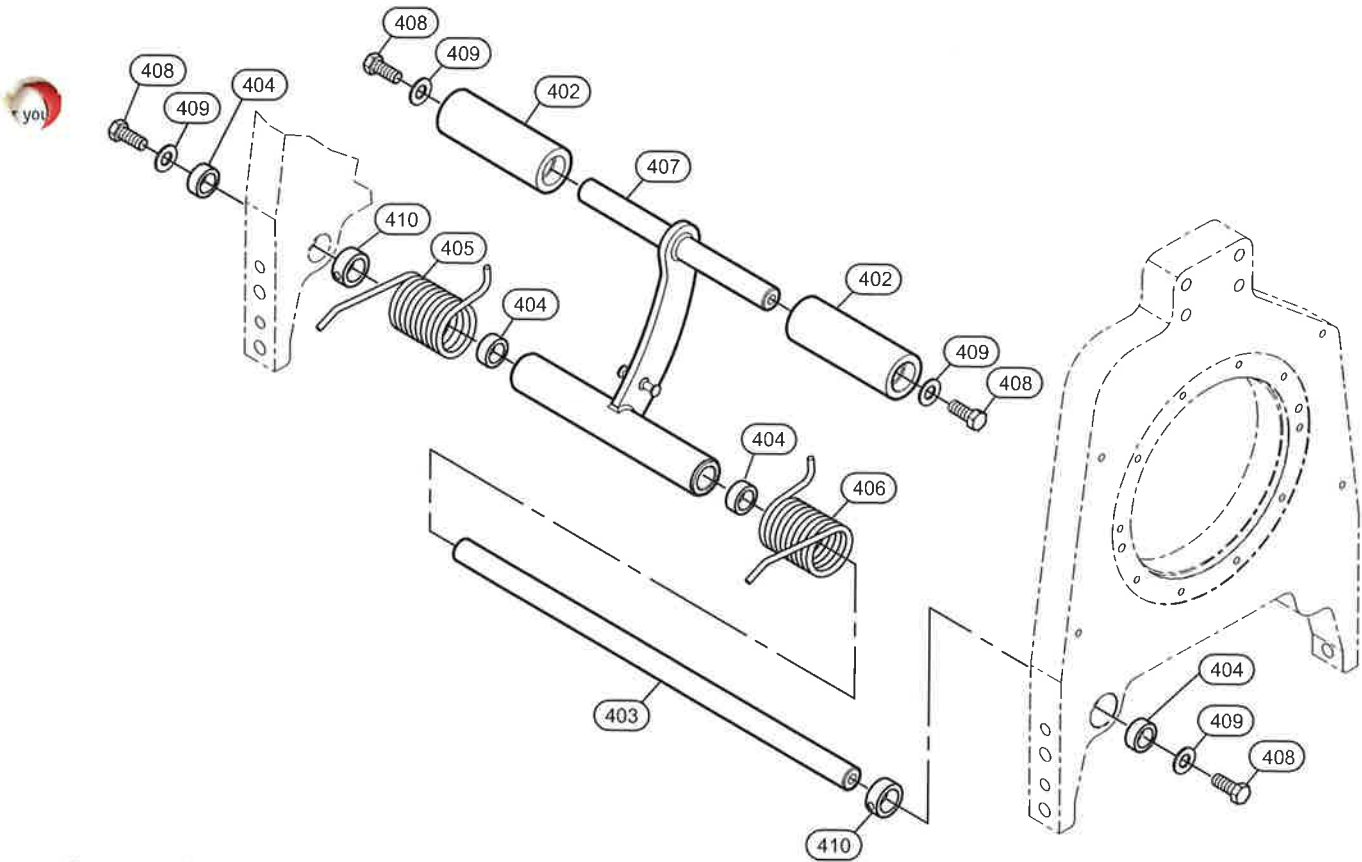


(Dwg. MHP2675)

Item No.	Description of Part	Total Qty	Part Number
300	Drum Locking Assembly (Includes items 141, 301-312)	1	382-30722
141	Handle Grip	1	71436851
301	Handle	1	382-30639
302	Capscrew	1	71340251
303	Locknut	1	71069132
304	Shaft	1	382-30705
305	Capscrew	2	71328744
306	Washer	2	51833
307	Cover	1	382-30704
308	Housing	1	382-30558
309	Grease Fitting	1	71111942
310	Spring	1	71436869
311	Bushing	1	382-31657
312	Drum Lock Pin	1	382-30633
313	Capscrew	1	54561

* Not sold separately. Order Drum Locking Pin Assembly (382-30722).

PRESS ROLLER ASSEMBLY (OPTIONAL) DRAWING AND PARTS LIST

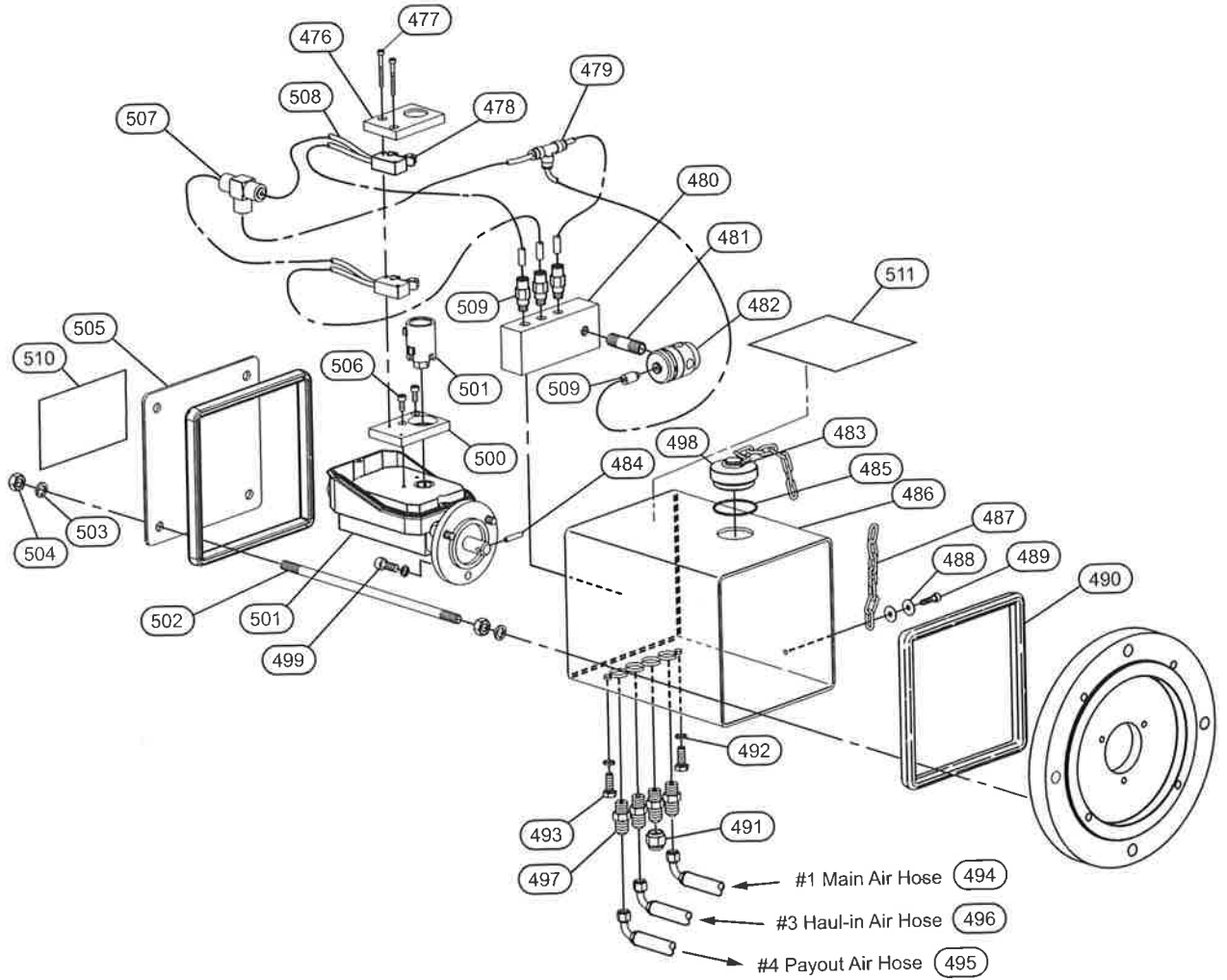


(Dwg. MHP2695)

Item No.	Description of Part	Total Qty	Part Number				
			8" w/o Band Brake	12" w/o Band Brake	12" w/ Band Brake	24" w/o Band Brake	24" w/ Band Brake
400	Press Roller Assembly *	1	382-31533-1B	382-31043-2	382-31043-2B	382-31043-5	382-31043-5B
402	Roller	2	382-30966-1	382-30962-2		382-30962-5	
403	Roller Shaft	1	382-31534-1B	382-31044-2B		382-31044-5	382-31044-5B
404	Shaft Collar	2	71443980				
• 405	Spring, Left Side	1	382-30968				
• 406	Spring, Right Side	1	382-30969				
407	Arm	1	382-30963	382-30966-2		382-30966-5	
408	Capscrew	4	71371652				
409	Washer	4	51009				
• 410	Bushing	2	71443816				

- Recommended spare for one winch, 2 years of normal operation.
- Contact factory for press roller sizes 16 and 20 inch drums.

LIMIT SWITCH (OPTIONAL) ASSEMBLY DRAWING



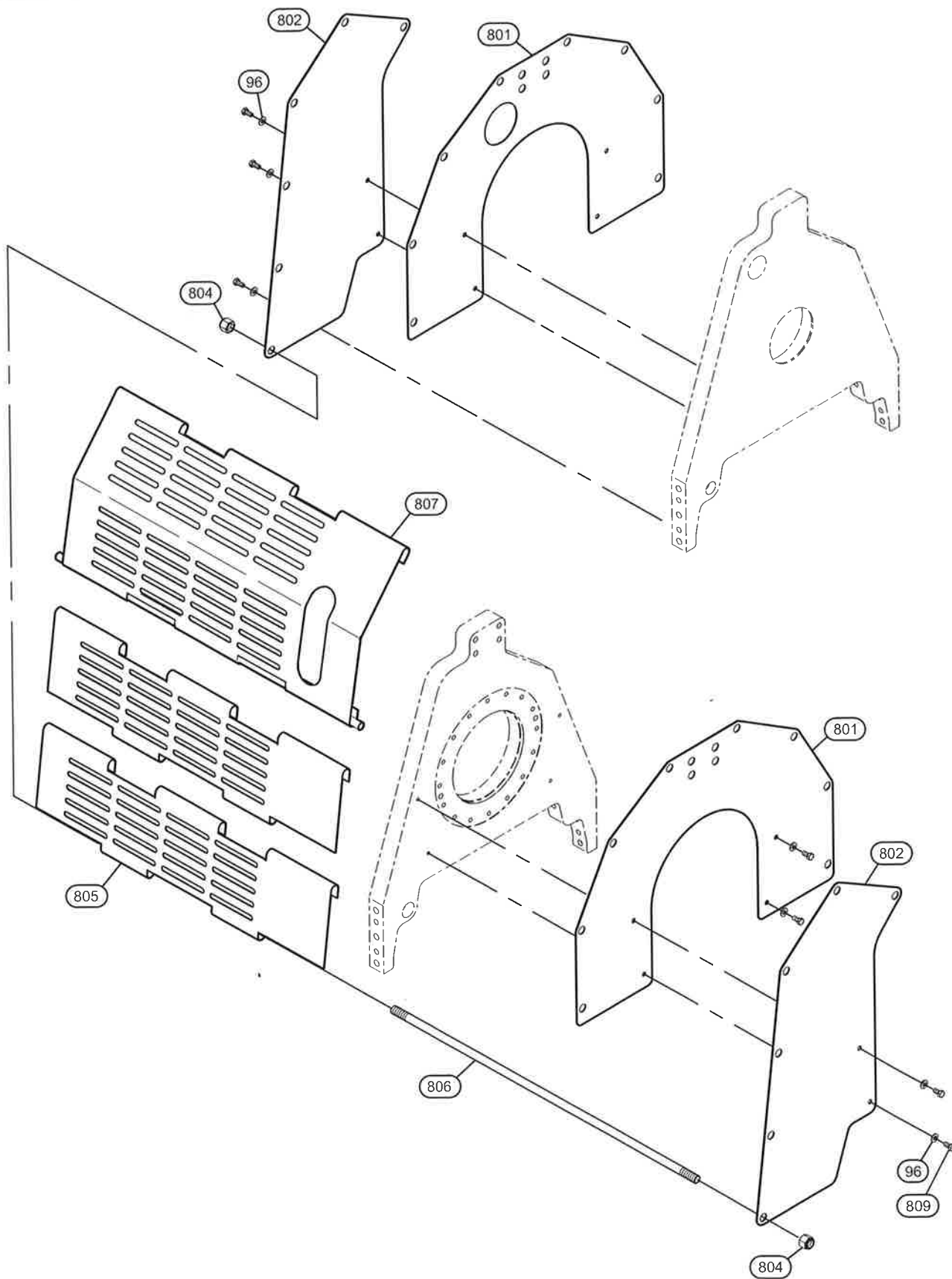
(Dwg. MHP2677)

LIMIT SWITCH (OPTIONAL) PARTS LIST

Item No.	Description of Part	Total Qty	Part Number
475	Limit Switch Assembly (Upper and Lower)	1	382-32134
476	Control Valve Support, Up	1	96150556
477	Capscrew	2	41332006
478	Valve, Control	2	68558741
479	Fitting, Tee	1	58255860
480	Block	1	382-31427
481	Pipe, Nipple	1	54242
482	Pilot Valve	1	71460760
483	Chain Grip	1	94120206
484	Pin	1	46503420
485	'O' Ring	1	58237529
486	Housing	1	*
487	Chain	1	69033232
488	Washer	2	45001104
489	Capscrew	1	41311906
• 490	Seal	2	69761541
491	Fitting, Cap	1	71111975
492	Washer	2	45201006
493	Capscrew	2	41020301
494	Hose Assembly, Main Air Hose (37 in. [940 mm]) standard hose	1	382-31423-8
	Hose Assembly, Main Air Hose (37 in. [940 mm]) stainless steel hose		382-31426-8
495	Hose Assembly, Payout Air Hose (42 in. [1067 mm]) standard hose	1	382-31423-10
	Hose Assembly, Payout Air Hose (42 in. [1067 mm]) stainless steel hose		382-31426-10
496	Hose Assembly, Haul-in Air Hose (42.5 in. [1080]) standard hose	1	382-31423-9
	Hose Assembly, Haul-in Air Hose (42.5 in. [1080]) stainless steel hose		382-31426-9
497	Fitting, Hose	4	51814
498	Plug	1	96150662
499	Capscrew	3	71324115
500	Control Valve Support, Down	1	96155055
501	Spindle Switch Assembly	1	71464127
502	Rod	4	382-31037
503	Lockwasher	8	45201008
504	Nut	8	43003511
505	Cover, Housing	1	382-32125
506	Capscrew	2	41313606
507	Fitting, Tee	1	71457519
508	Tube	1	68045328
509	Fitting, Adapter	1	71457485
510	Label	1	71459929
511	Label, Underwind	1	71462337
	Label, Overwind		71446439
512	Adapter	1	382-30831

- Recommended spare for one winch, 2 years of normal operation.
- * Not sold separately. Order Limit Switch Assembly (382-32134).

WINCH GUARD ASSEMBLY DRAWING



(Dwg. MHP2676)

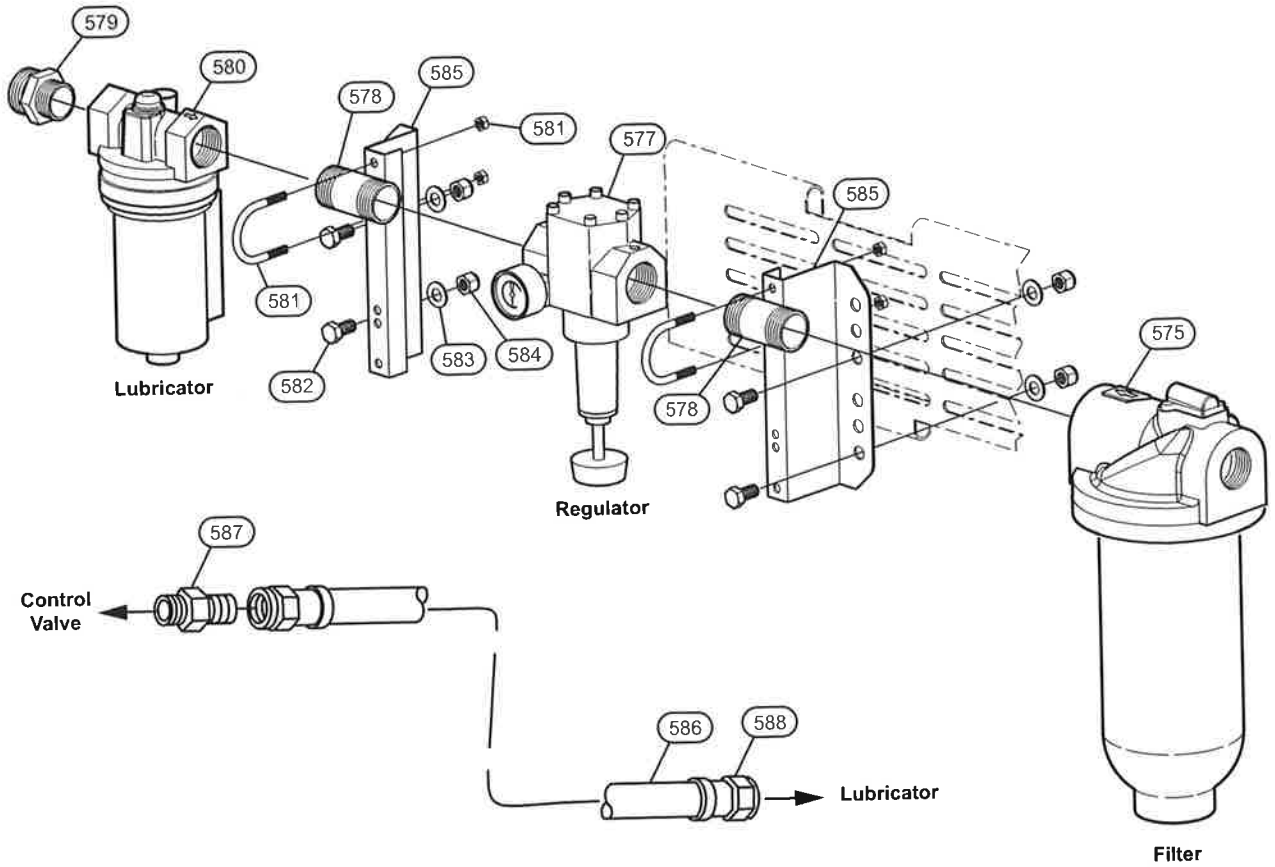
WINCH GUARD PARTS LIST

Winch Guard

Item No.	Description of Part	Total Qty	Part Number			
			12 in Drum	16 in Drum	20 in Drum	24 in Drum
---	Winch Guard Assembly w/o Band Brake w/o Drum Lock	1	382-31122-2	382-31122-3	382-31122-4	382-31122-5
	Winch Guard Assembly w/o Band Brake w/ Drum Lock		382-31122-2L	382-31122-3L	382-31122-4L	382-31122-5L
	Winch Guard Assembly w/ Manual Band Brake w/o Drum Lock *		382-31122-2B	382-31122-3B	382-31122-4B	382-31122-5B
	Winch Guard Assembly w/ Manual Band Brake w/ Drum Lock		382-31122-2BL	382-31122-3BL	382-31122-4BL	382-31122-5BL
	Winch Guard Assembly w/Auto Band Brake w/o Drum Lock *		382-31122-2AB	382-31122-3AB	382-31122-4AB	382-31122-5AB
	Winch Guard Assembly w/ Auto Band Brake w/ Drum Lock		382-31122-2ABL	382-31122-3ABL	382-31122-4ABL	382-31122-5ABL
801	Frame w/o Band Brake w/o Drum Lock	2	382-31123	Contact Factory		
	Frame w/o Band Brake w/ Drum Lock	1	382-31123			
		1	382-31123-L			
	Frame w/ Manual Band Brake w/o Drum Lock *	2	382-31123			
	Frame w/ Manual Band Brake w/ Drum Lock	1	382-31123			
	1	382-31123-L				
801	Frame	2	382-31123			
802	w/ Auto Band Brake w/o Drum Lock *	2	382-31124			
801	Frame	1	382-31123			
	w/ Auto Band Brake w/ Drum lock	1	382-31123-L			
802		2	382-31124			
805	Panel w/o Band Brake w/o Drum Lock	5	382-31125-2	382-31125-3	382-31125-4	382-31125-5
	Panel w/o Band Brake w/ Drum Lock	4				
805	Panel	2	382-31125-2B	382-31125-3B	382-31125-4B	382-31125-5B
807	w/ Manual Band Brake w/o Drum Lock *	1	382-31127-2	382-31127-3	382-31127-4	382-31127-5
805	Panel	2	382-31125-2B	382-31125-3B	382-31125-4B	382-31125-5B
807	w/ Manual Band Brake w/ Drum Lock	1	382-31127-2	382-31127-3	382-31127-4	382-31127-5
805	Panel w/ Auto Band Brake w/o Drum Lock *	5	382-31125-2B	382-31125-3B	382-31125-4B	382-31125-5B
	Panel w/ Auto Band Brake w/ Drum lock	5	382-31125-2BL	382-31125-3BL	382-31125-4BL	382-31125-5BL
806	Crossbar w/o Band Brake	6	382-31126-2	382-31126-3	382-31126-4	382-31126-5
	Crossbar w/ Manual Band Brake	5	382-31126-2B	382-31126-3B	382-31126-4B	382-31126-5B
	Crossbar w/ Auto Band Brake	7				
804	Locknut w/o Band Brake	12	71445415	Contact Factory		
	Locknut w/ Manual Band Brake	10				
	Locknut w/ Auto Band Brake	14				
96	Washer	8	71376370			
809	Capscrew	8	71445407			

* Configuration for Man Rider Winch. Contact factory for Drum Locking Pin option for Man Rider.

AIR PREPARATION ASSEMBLY DRAWING AND PARTS LIST



(Dwg. MHP2679)

Item No.	Description of Part	Total Qty	Part Number
---	Air Preparation Assembly	1	382-31020
575	Filter	1	F42-0A-000
577	Regulator	1	R40-0B-G00
578	Pipe Nipple	2	71311426
579	Pipe Nipple	1	71057483
580	Lubricator	1	L40-0B-G00
581	U-Bolt	2	71445308
582	Capscrew	4	71391080
583	Washer	4	71445324
584	Nut	4	71445316
585	Bracket	2	382-31021
586	Hose, bulk (4 ft [1.22 mm])	1	54737
587	Fitting, Connector	1	71106520
588	Hose Fitting	2	54738
**	Fitting	1	54270
**	Ball Valve	1	71416911

Air preparation components for 1-1/2 inch FNPT system.

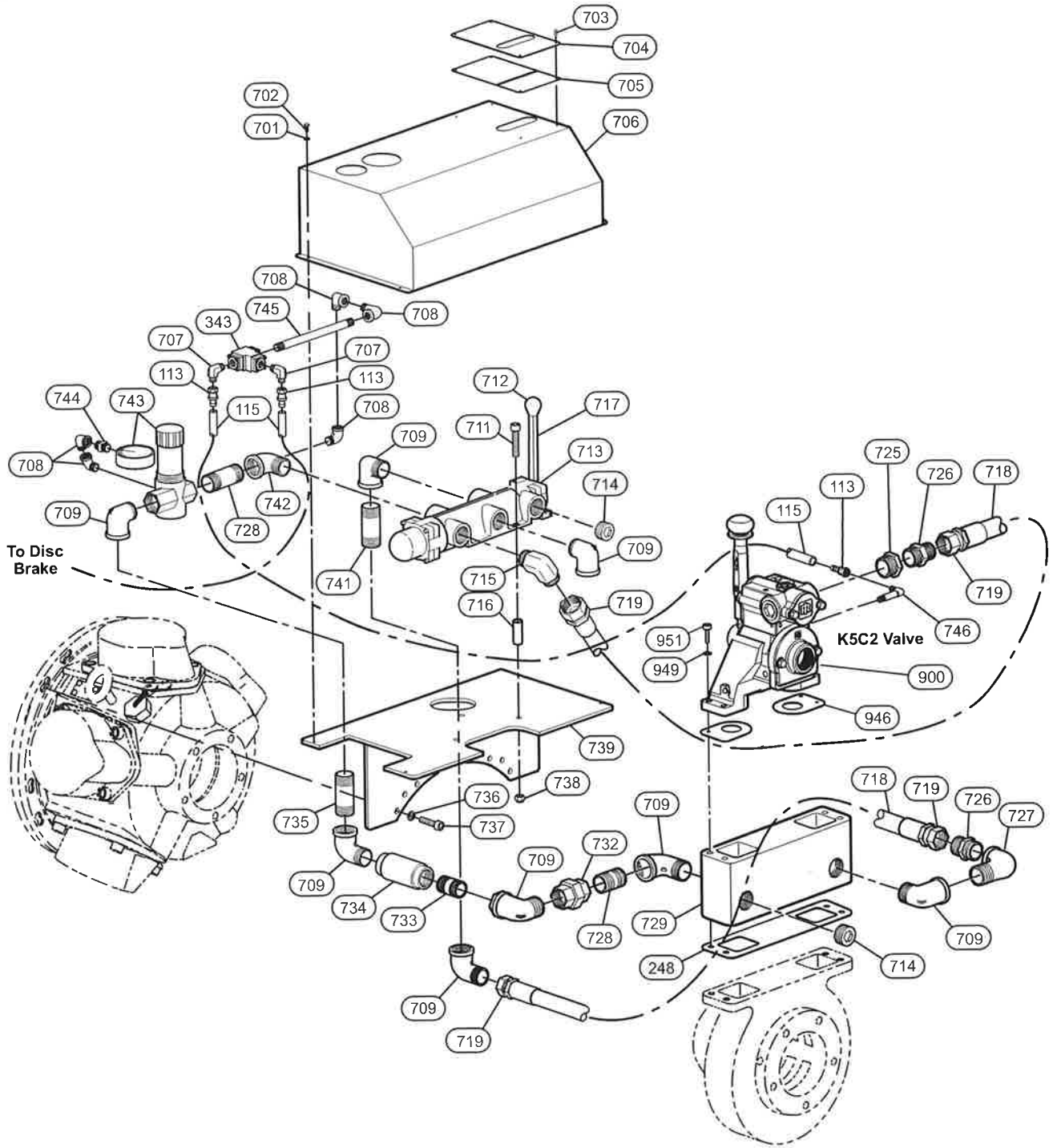
- * Length as required for installation.
- ** Item not illustrated.

LABELS AND TAGS ASSEMBLY PARTS LIST

Item No.	Description of Part	Total Qty	Part Number	Item No.	Description of Part	Total Qty	Part Number
650	Label and Tag Kit *	1	22261-5S	654	Product Label 12-16 inch long drum	1	71111777
					Product Label 24 inch and longer drum		71109508
	Label and Tag Kit -E *		24305-5S	655	Warning Label	1	71060529
					Warning Label -E		96180100
88	Data (Name) Plate	1	7116967-R	656	Oil Level Label	1	71043616
89	Drive Screw	4	71028849	657	Exhaust Label	1	71042196
651	Winding Label	2	71109516	658	Control Valve Operation -E	1	96180102
	Winding Label -E		96180103	659	Air Supply Label	1	71046395
652	IR Logo Label 12-16 inch long drum	1	71106272	661	Warning Label (Only Non -E)	1	71107130
	IR Logo Label 24 inch long and longer drum		71109102	662	Check Oil Level Label	1	71107148
653	Label General -E	1	71153464	663	Underwound Direction Label	1	71110068

* Kits depend on drum length. Numbers ending in -4 are for drums 12-16 inches long. Numbers ending in -5 are for drums 24 inches or longer. -E kits contain all labels, EXCEPT 661.

CONSTANT TENSION (OPTIONAL) ASSEMBLY DRAWING



(Dwg. MHP2028)

CONSTANT TENSION (OPTIONAL) ASSEMBLY PARTS LIST

Item No.	Description of Part	Total Qty	Part Number
900	Control Valve Assembly	1	K5B-REMOTE
113	Fitting, Hose End	3	51029
115	Hose (bulk)	As Req'd	50923
248	Gasket	2	K5B-547
343	Shuttle Valve	1	50277
701	Washer	4	71320964
702	Capscrew	4	71127054
703	Rivet	6	50915
704	Label, Constant Tension	1	26217
705	Gasket	1	26216
706	Cover	1	26215
707	Fitting, Elbow	2	54869
708	Fitting, Elbow	5	52803
709	Fitting, Elbow	8	54243
711	Capscrew	3	71319073
712	Handle Ball	1	71138051
713	Valve	1	71316434
714	Plug	2	71069017
715	Fitting, Elbow	1	51001
716	Spacer	3	14998-8B
717	Handle	1	26149
718	Hose (bulk)	As Req'd	51003
719	Fitting, Hose End	4	51002
725	Fitting, Bushing	1	51705
726	Fitting, Nipple	2	71308258
727	Fitting, Elbow	1	50928
728	Fitting, Nipple	2	50933
729	Manifold, Control Valve	1	25874
732	Union	1	71328330
733	Fitting, Nipple	1	71328314
734	Check Valve	1	71320915
735	Fitting, Nipple	1	71328249
736	Washer	4	71320956
737	Capscrew	4	71320949
738	Nut	3	71069132
739	Bracket	1	26095
741	Fitting, Nipple	1	71320907
742	Fitting, Elbow	1	26057
743	Regulator and Gauge *	1	71325047
744	Fitting, Connector	1	54943
745	Fitting, Tube Extension	1	71325591
746	Fitting, Elbow	1	71149975
946	Gasket	2	K5B-547
949	Washer	4	51581
951	Capscrew	4	71328199

* Items not sold separately.

WARRANTY

Ingersoll Rand Company (I-R) warrants to the original user its Winch and Hoist Solutions (Products) to be free of defects in material and workmanship for a period of one year from the date of purchase. I-R will repair, without cost, any Product found to be defective, including parts and labor charges, or at its option, will replace such Products or refund the purchase price less a reasonable allowance for depreciation, in exchange for the Product. Repairs or replacements are warranted for the remainder of the original warranty period.

If any Product proves defective within its original one year warranty period, it should be returned to any Authorized Winch and Hoist Solutions Service Distributor, transportation prepaid with proof of purchase or warranty card.

This warranty does not apply to Products which I-R has determined to have been misused or abused, improperly maintained by the user, or where the malfunction or defect can be attributed to the use of non-genuine I-R parts.

I-R makes no other warranty, and all implied warranties including any warranty of merchantability or fitness for a particular purpose are limited to the duration of the expressed warranty period as set forth above. I-R's maximum liability is limited to the purchase price of the Product and in no event shall I-R be liable for any consequential, indirect, incidental, or special damages of any nature arising from the sale or use of the Product, whether based on contract, tort, or otherwise.

Note: Some states do not allow limitations on incidental or consequential damages or how long an implied warranty lasts so that the above limitations may not apply to you.

This warranty gives you specific legal rights and you may also have other rights which may vary from state to state.

IMPORTANT NOTICE

It is our policy to promote safe delivery of all orders.

This shipment has been thoroughly checked, packed and inspected before leaving our plant and receipt for it in good condition has been received from the carrier. Any loss or damage which occurs to this shipment while en route is not due to any action or conduct of the manufacturer.

VISIBLE LOSS OR DAMAGE

If any of the goods called for on the bill of lading or express receipt are damaged or the quantity is short, do not accept them until the freight or express agent makes an appropriate notation on your freight bill or express receipt.

CONCEALED LOSS OR DAMAGE

When a shipment has been delivered to you in apparent good condition, but upon opening the crate or container, loss or damage has taken place while in transit, notify the carrier's agent immediately.

DAMAGE CLAIMS

You must file claims for damage with the carrier. It is the transportation company's responsibility to reimburse you for repair or replacement of goods damaged in shipment. Claims for loss or damage in shipment must not be deducted from the Ingersoll Rand invoice, nor should payment of Ingersoll Rand invoice be withheld awaiting adjustment of such claims as the carrier guarantees safe delivery.

You may return products damaged in shipment to us for repair, which services will be for your account and form your basis for claim against the carrier.

SERVICE NOTES



